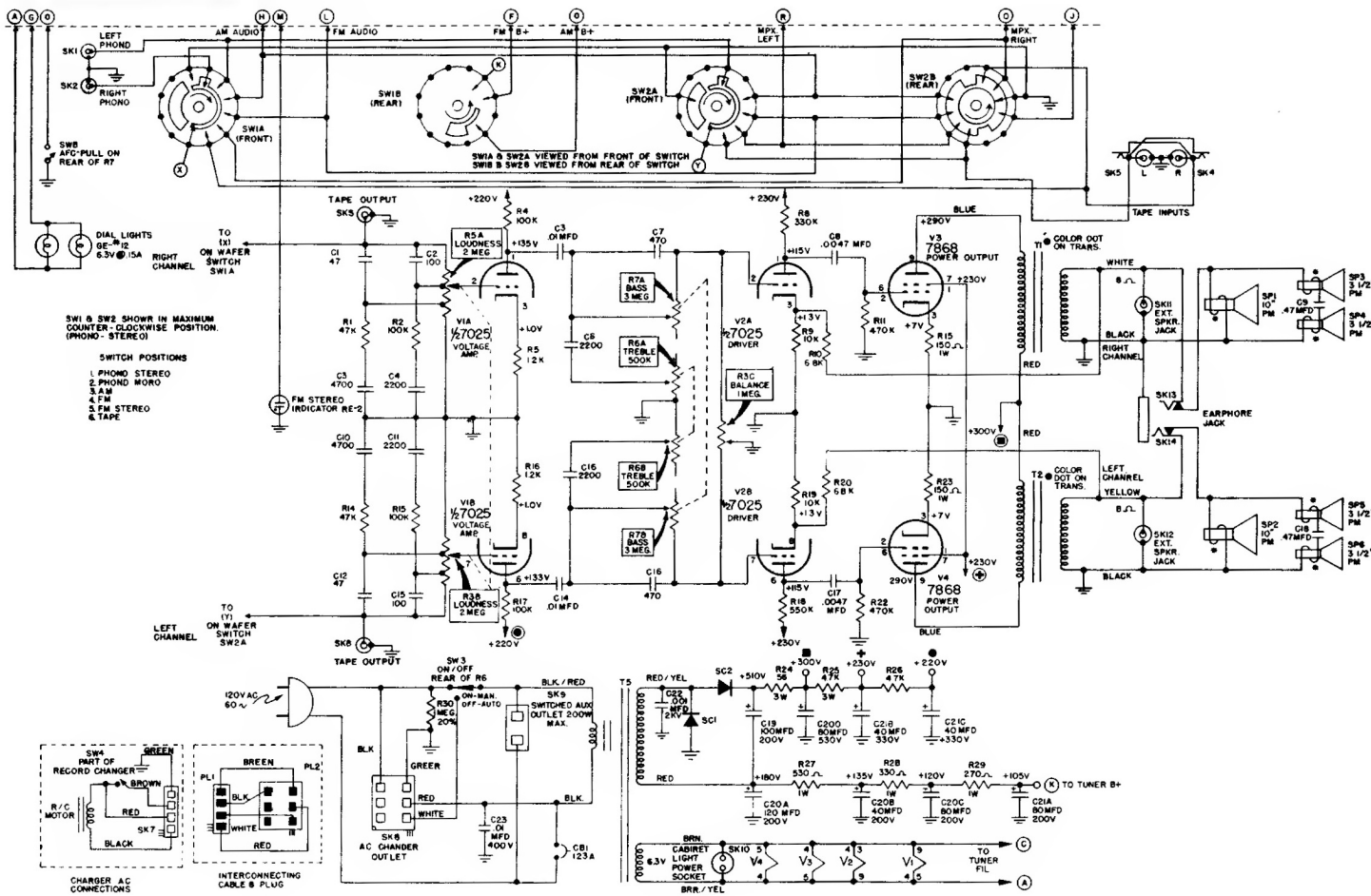


# SULLIVANIA

MODELS SC541W, SC542CH, GN, M, SC543, SC561M, W

CHASSIS: 803-1,-2

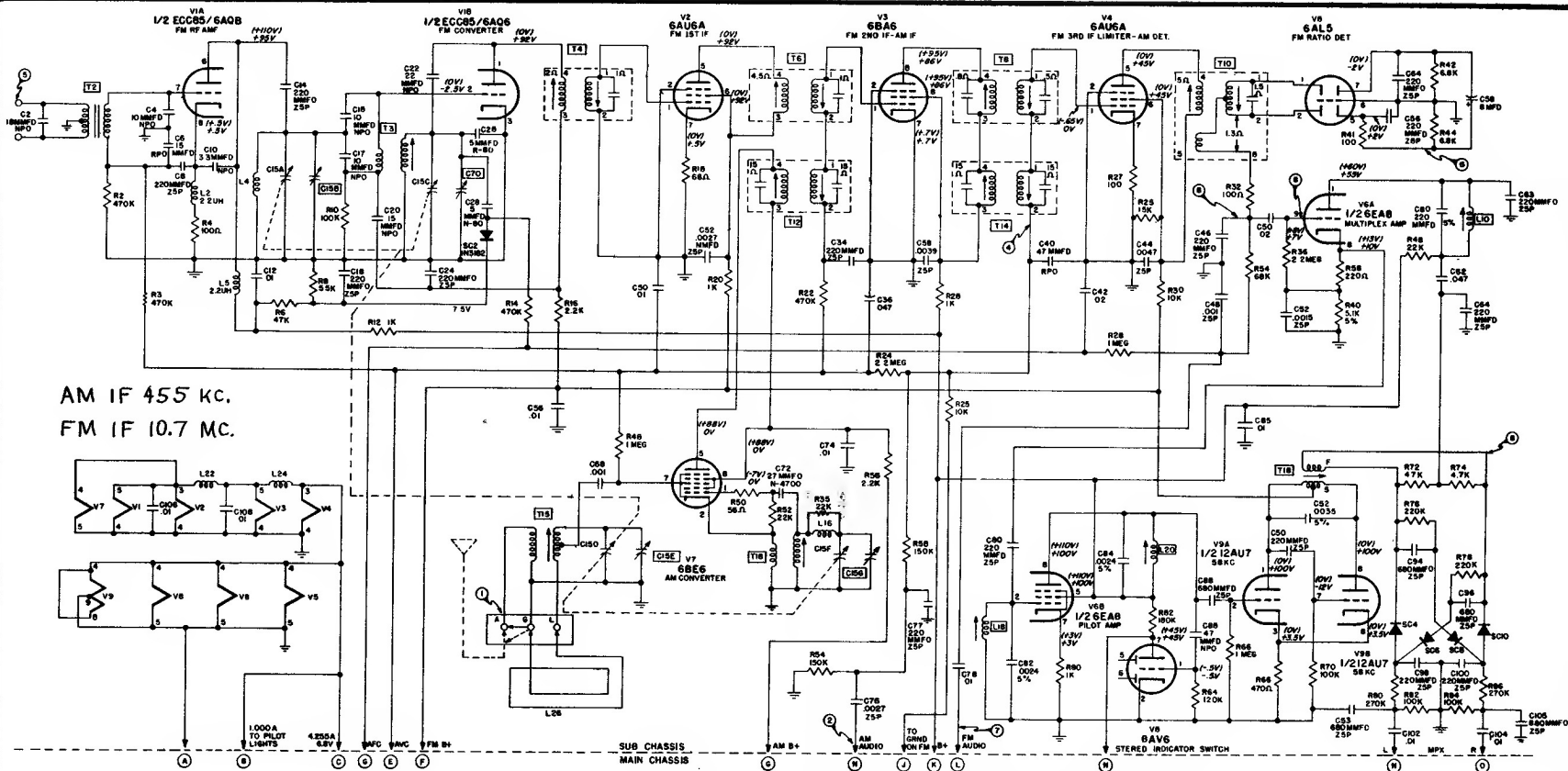


## SCHEMATIC NOTES

1. VOLTAGES SHOWN ARE AVERAGE READINGS MEASURED TO CHASSIS WITH NO SIGNAL INPUT. VARIATIONS MAY BE NOTED DUE TO NORMAL PRODUCTION TOLERANCES.
2. AC POWER SOURCE 120 VOLT, 60 CYCLE.
3. CAPACITANCE IN MICROMICROFARADS UNLESS OTHERWISE SPECIFIED.
4. A VOLTAGE SOURCE IS INDICATED BY A SYMBOL ● ; THE

CORRESPONDING SYMBOL WITH A CIRCLE ● INDICATES THE VOLTAGE TIE POINT.

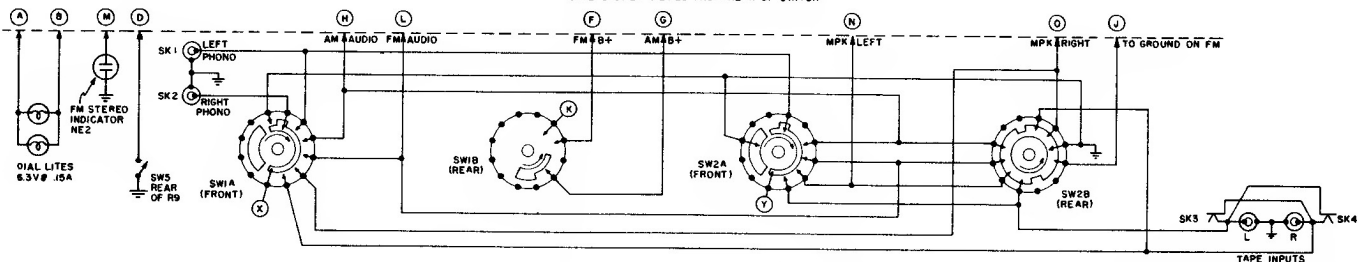
5. ⚡ DESIGNATES CHASSIS GROUND.
6. \* INDICATES COLOR DOT ON SPEAKERS FOR CORRECT PHASING.
7. **R3**, **R6**, **R7**, ARE DUAL GANGED CONTROLS.



AM IF 455 KC.  
FM IF 10.7 MC.

**— SCHEMATIC DIAGRAM 370-1 (AM/FM TUNER) —**

SW1A & SW2A VIEWED FROM FRONT OF SWITCH  
SW1B & SW2B VIEWED FROM REAR OF SWITCH



Input circuit of Chassis 802-1, -2.